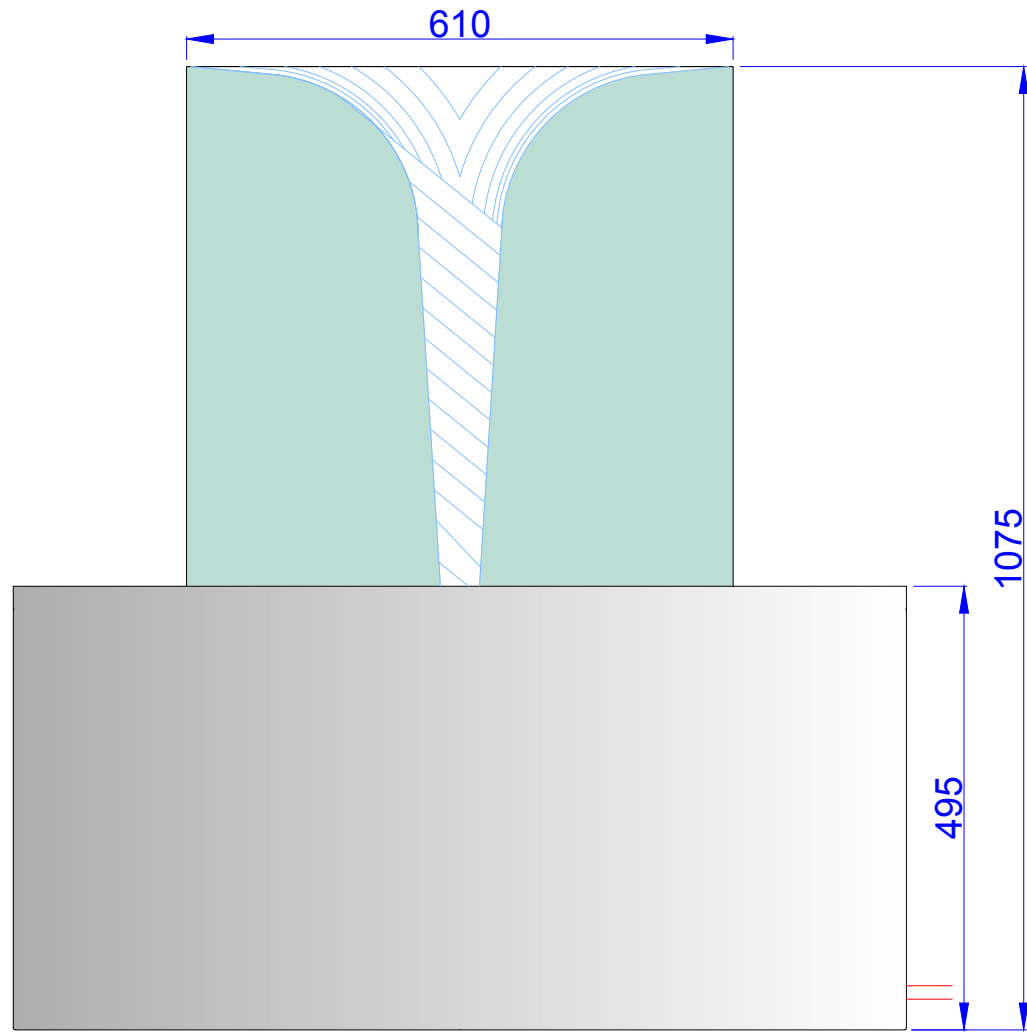
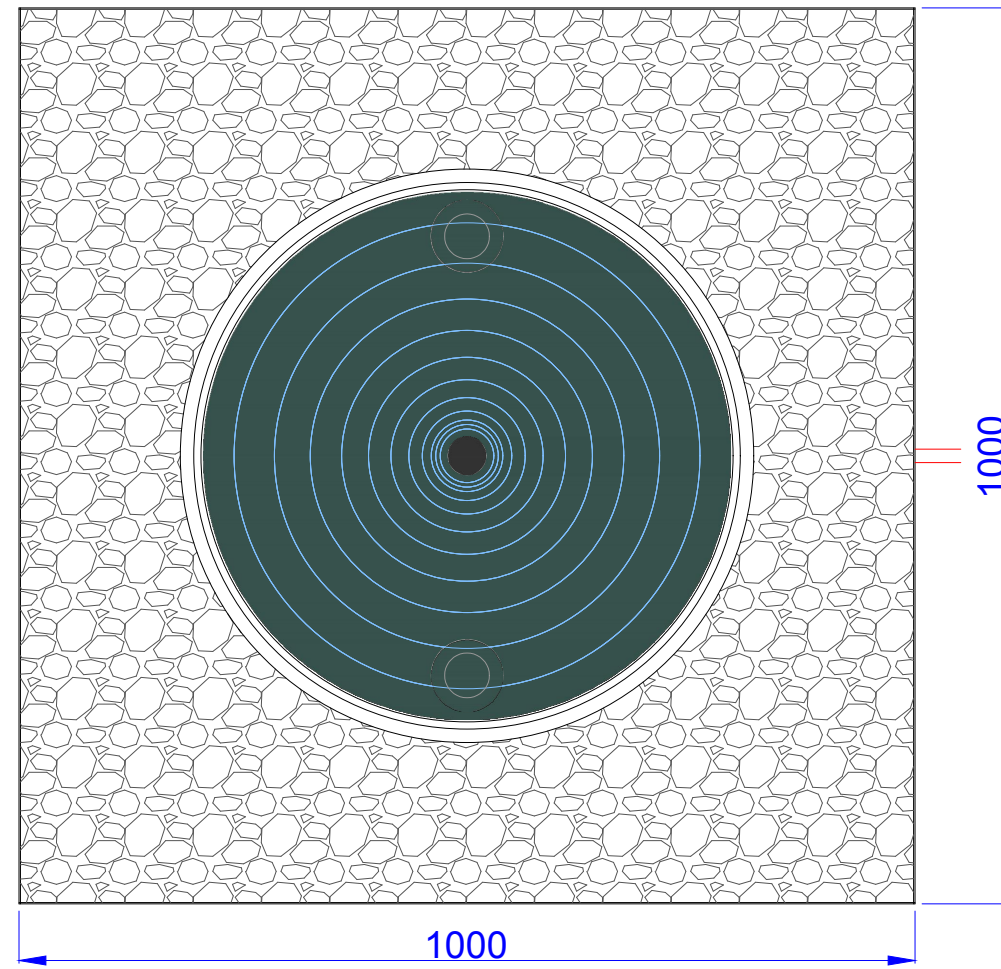


NOTES

1. NO INFORMATION IS TO BE SCALED FROM THIS DRAWING.
2. THIS DRAWING IS TO BE READ IN CONJUNCTION WITH ALL RELEVANT ENGINEERS DRAWINGS AND SPECIFICATIONS



FRONT ELEVATION



PLAN VIEW

REV	DATE	DESCRIPTION	MADE	CH'D

STATUS **CONSTRUCTION**

**TILLS INNOVATIONS LTD
WATER FEATURE
SPECIALIST**

Telephone: 077 696 80 757
Email: enquiries@tills-innovations.com
Website: www.waterfeaturespecialist.co.uk

PROJECT TITLE

**'VOLUTE'
VORTEX
WATER FEATURE**

DRAWING TITLE

**VOLUTE
PLAN & FRONT ELEVATION
DETAIL**

SCALE **NTS** DRAWN BY **SJT**

DATE **25/10/23** CH'D BY **MDT**

DRAWING NO. **V0002SC** REVISION **A**